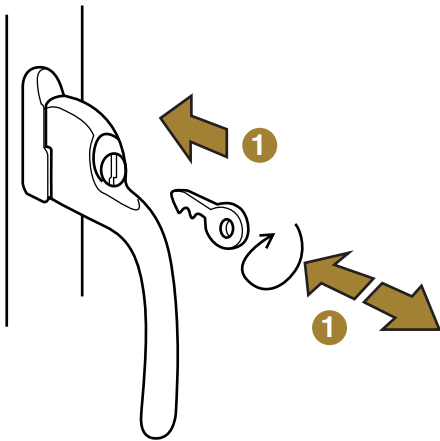


Casement Windows



Operation Guidelines

1 To open the window using the keys provided (if applicable) unlock the handle . . .



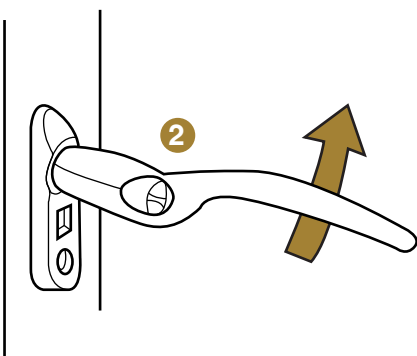
Your windows may have been fitted with different types of hinges depending on the application – some hinges have an emergency exit (egress) or easy-clean function.

Please refer to your installer for the specific instructions for your hinge.

Please ensure that when you leave your house you close the window and lock with the key.

Then remove the key and place it in a safe location, away from the window.

2 . . .then release the catch by depressing the button, and turning the handle.



To close the window - fully close the window, turn the handle and lock using the key.

Casement Windows



Care and Maintenance

General

Periodically, wipe the frame and sill of **PVCu windows** with warm water and a mild detergent to remove any surface grime. Difficult stains may be removed using a gentle cream cleaner.

For **timber** or **aluminium windows** please refer to the care instructions from your installer.

Glass should be cleaned using a branded glass cleaner.

Handles

Should be cleaned with a soft, damp cloth to remove any dust or grime, taking care not to scratch the surface.

Do not use any harsh or abrasive cleaners or aerosol sprays as this may affect the surface finish of the handle.

Locks

Twice per year, all accessible moving parts should be lightly lubricated with a few drops of light oil (e.g. "3 in 1") and surfaces wiped with a clean cloth.

If you need any help with the operation or maintenance of your new window or door please contact your installer.

Hinges

Any pivot points should be lightly lubricated twice a year and the surface (including the sliding channel) cleaned with a soft, damp cloth to remove any dust or grime.

The product should be periodically adjusted and the fixings tightened to ensure a satisfactory operation.

Friction can be adjusted with the brass screw (A) if required.

